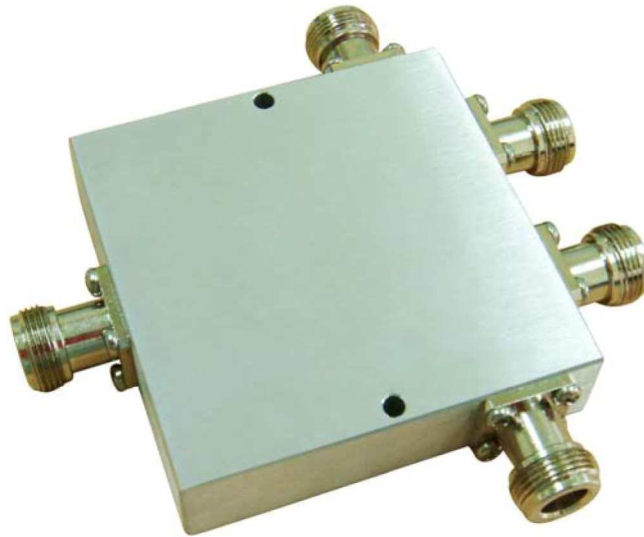


5000-6000MHz 1 TO 4 WAYS SPLITTER FOR N FEMALE

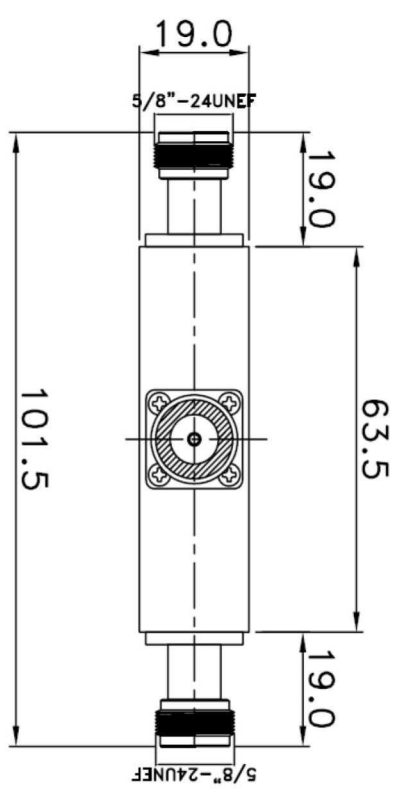
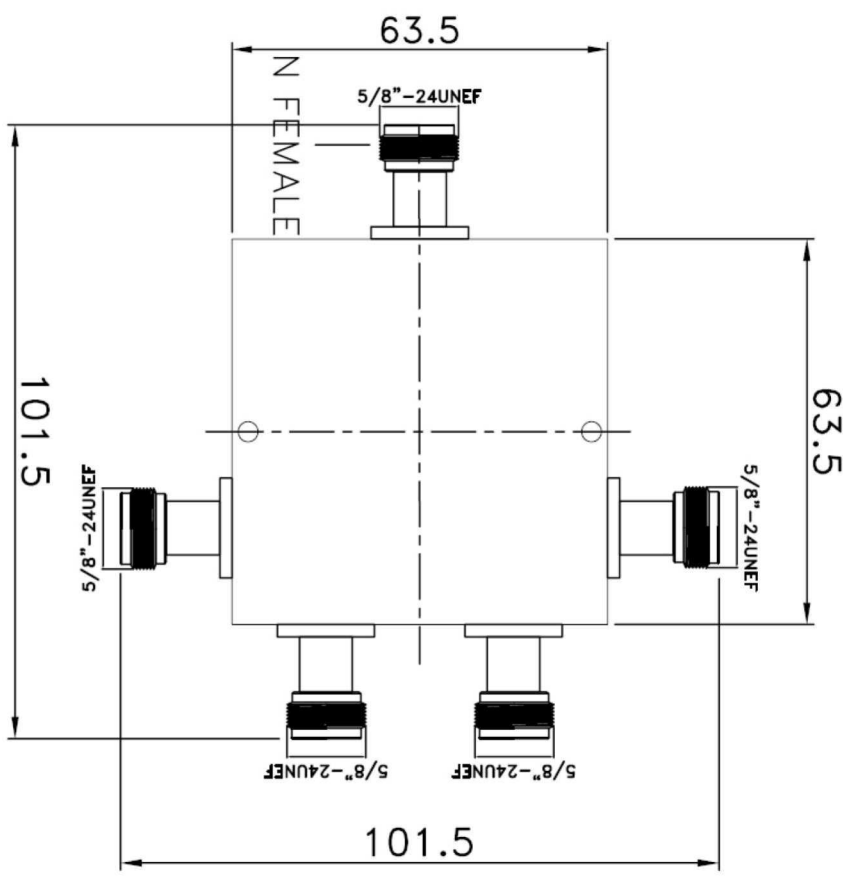
RoHS



Specification		
Model No.	MN5P5804N	
Description	1 TO 4 Ways Splitter	
Frequency Range (MHz)	5000 -6000MHz	
Insertion Loss (dB)	<= 6.8	
Amplitude Balance (dB)	<= 0.3	
Phase Balance	5°	
Standing Wave	VSWR (in)	<= 1.3
	VSWR (out)	<= 1.3
Isolation (dB)	>= 22	
Power (W)	>= 30	
Dimension (mm)	L101.5 x W101.5 x H19mm	
Port Connectors	N Female	
N.W (g)	263g	

REV	DESCRIPTION	DRAWN	DATE

5000-6000MHZ 1 TO 4 WAYS SPLITTER FOR N FEMALE



7	Power (W) : ≥ 30
6	Port Connectors : N FEMALE
5	Isolation (dB) : ≥ 22
4	Phase Balance : 5°
3	Amplitude Balance (dB) : ≤ 0.3
2	Insertion Loss (dB) : ≤ 6.8
1	Frequency Range (MHz) : 5000-6000 MHz
NO	Description

UNLESS OTHERWISE SPECIFIED
 1.REMOVE ALL BURRS
 2.BREAK ALL CORNERS & EDGES CO.15 MAX.
 3.CHAMFER 1ST & LAST THREADS 45°
 4.DIAMETERS ON COMMON CENTERS.
 TO BE CONCENTRIC WITHIN 0.1MM.
 5.ALL DIMENSIONS ARE AFTER PLATING.

*MAJOR DIMENSION
 UNLESS OTHERWISE NOTED TOLERANCES
 0.5-6=±0.2
 6-30=±0.4
 30-120=±0.6
 120-315=±1.0
 ANGLES=±1°

APPROVED	
CHECKED	
DRAWN	andrew
DRAWN DATE	03/07/04

TITLE	DRAWING NO.	REV
5000-6000MHz 1 TO 4 WAYS SPLITTER FOR N FEMALE	MNSP5804N	A
SCALE	5/1	UNIT
MM		
FILE NO.		